



General Requirements

BASIC CODE REQUIREMENTS.

Wisconsin Uniform Dwelling Code SPS 321, SPS 320-325 Appendix B, or SPS 320-325 Appendix C. Wisconsin Uniform Building Code Section 30.30. This handout is intended to provide general requirements. If you have additional questions please contact the department.

SETBACKS. Shall comply with municipal zoning area regulations found in Municipal Ordinance Chapter 15.

Open porches, steps, decks, terraces and platforms, all without roof construction and/or 24 inches or less above grade, may project into one-half of any required yard.

Open porches, steps, decks, terraces and platforms all without roof construction and 24 inches or more above grade may not project into such required yard more than three feet.

Roofed porches, steps, decks, terraces and platforms porches and platforms may not occupy any front, side or rear yard setback areas.

ELECTRICAL PANEL / METER BASE WORKING SPACE.

NEC 110.26(A)(1) requires a minimum of 36 inches perpendicular to the front edge of the electrical equipment & a minimum width of 30 inches or the width of the equipment whichever is greater. A removable access shall be provided.

FOOTINGS. Shall be a minimum of 48" below grade and each post must bear directly over the middle one-third of a footing.

GUARDRAIL. Shall be provided on all open sides of stairs consisting of more than 3 risers and on all open sides of areas that are elevated more than 24 inches above the floor or exterior grade. Guards shall extend to at least 36 inches above the floor or to the underside of a stair handrail, shall prevent the through-passage of a sphere with a diameter of

4-3/8 inches and shall withstand a 200 pound load applied in any direction.

HANDRAIL. A flight of stairs with more than 3 risers shall be provided with at least one handrail for the full length of the flight that is located at least 30 inches but no more than 38 inches above the nosing of the treads and shall withstand a 200 pound load applied in any direction

STEPS. Shall have a maximum rise of 8" and a minimum tread of 9" and be a minimum of 36" wide.

Permit Application and Inspections

CONSTRUCTION PERMIT. A building permit shall be obtained.

CONSTRUCTION PLAN. A typical framing plan shows a bird's-eye or plan view of the joist and beam layout; the location of the ledger board, diagonal bracing or hold-down devices, posts, and footings; and the type, size, and spacing of the ledger board fasteners. You may submit **1. The Typical Framing Plan Figure 35** or **2. A Construction Plan.**

SITE PLAN. One copy of a site plan is required. A scaled drawing may also be acceptable. Be sure to illustrate existing structures and the proposed structure location, setbacks, and dimensions.

INSPECTIONS. Please call at least 24 hours prior to scheduling the following: Footing, Framing, and Final Inspection.



Building Inspection Department
900 Quay St, Manitowoc, WI 54220



(920) 686-6940

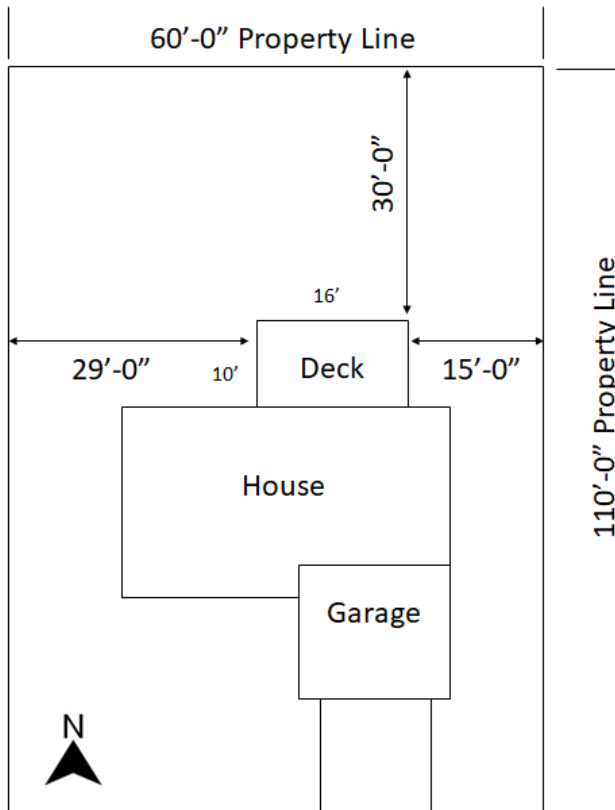


buildinginspection@manitowoc.org

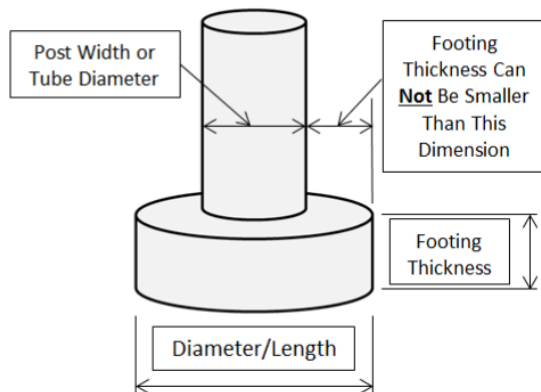


(800) 242-8511

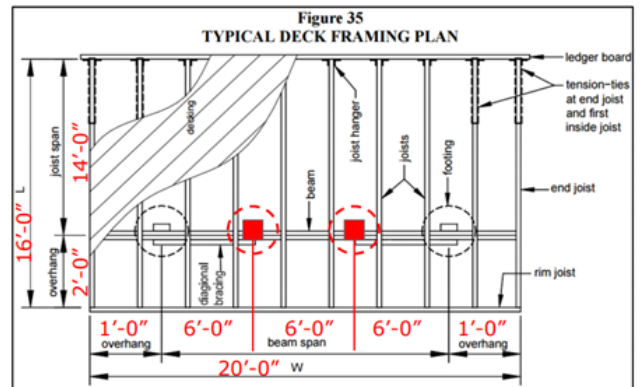
Site Plan



Footing



Framing Plan Figure 35

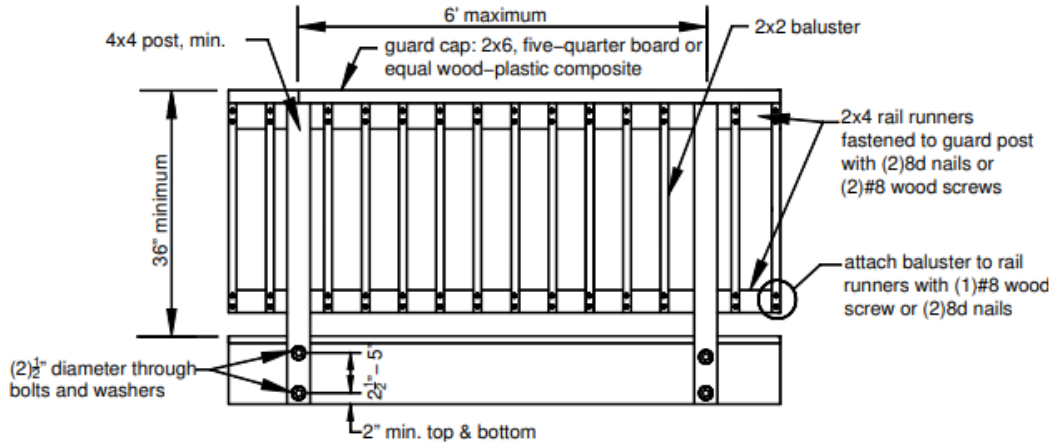


Check List Figure 35

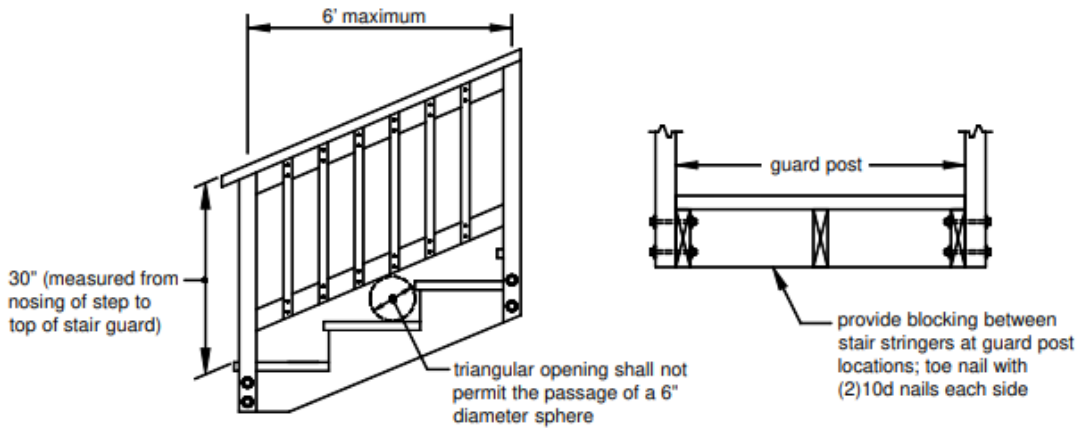
Decking:	<input type="checkbox"/> 2x4	<input checked="" type="checkbox"/> 2x6	<input type="checkbox"/> five-quarter board	<input type="checkbox"/> wood-plastic composite (per ASTM D 7032)
	<input type="checkbox"/> Other decking, evaluation report number: _____			
Joists:	size: <input type="checkbox"/> 2x6	<input type="checkbox"/> 2x8	<input checked="" type="checkbox"/> 2x10	<input type="checkbox"/> 2x12
	spacing: <input type="checkbox"/> 12 in.	<input checked="" type="checkbox"/> 16 in.	<input type="checkbox"/> 24 in.	
	joist span dimension: <u>14</u> ft. - <u>0</u> in.			
	overhang: <input checked="" type="checkbox"/> Yes	<input type="checkbox"/> No	overhang dimension: <u>2</u> ft. - <u>0</u> in.	
	rim joist: <input type="checkbox"/> 2x6	<input type="checkbox"/> 2x8	<input checked="" type="checkbox"/> 2x10	<input type="checkbox"/> 2x12
Beam(s):	number of plies: <input checked="" type="checkbox"/> 2	<input type="checkbox"/> 3	size: <input type="checkbox"/> 2x6	<input type="checkbox"/> 2x8
	overhang: <input checked="" type="checkbox"/> Yes	<input type="checkbox"/> No	overhang dimension: <u>1</u> ft. - <u>0</u> in.	<input checked="" type="checkbox"/> 2x10
	<input type="checkbox"/> 2x6	<input checked="" type="checkbox"/> 6x6	height: <u>3</u> ft. - <u>6</u> in.	<input type="checkbox"/> 2x12
Posts:	size: <input type="checkbox"/> 4x4	<input type="checkbox"/> 4x6	<input checked="" type="checkbox"/> 6x6	
	height: <u>3</u> ft. - <u>6</u> in.			
Footings:	size: <u>19</u> in.	<input type="checkbox"/> square	<input checked="" type="checkbox"/> round	thickness: <u>8</u> in.
Ledger:	ledger board size: <input type="checkbox"/> 2x8	<input checked="" type="checkbox"/> 2x10	<input type="checkbox"/> 2x12	<input type="checkbox"/> Not applicable (free-standing deck)
	fastener: <input type="checkbox"/> Through bolt	<input checked="" type="checkbox"/> Lag screw	<input type="checkbox"/> Wood screw	
	<input type="checkbox"/> Expansion anchor	<input type="checkbox"/> Adhesive anchor		
Lateral support:	<input type="checkbox"/> Tension-tie	<input checked="" type="checkbox"/> Diagonal bracing, size: <input type="checkbox"/> 2x		
	(not permitted for free-standing deck)			
Deck size:	L= <u>16</u> ft. - <u>0</u> in.	W= <u>20</u> ft. - <u>0</u> in.		

Steps, Guardrails, Handrails

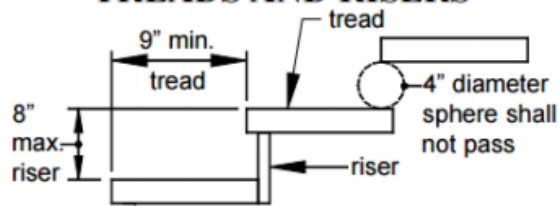
**Figure 24
GUARDS**



**Figure 32
STAIR GUARDS**



**Figure 27
TREADS AND RISERS**



Deck Anatomy

